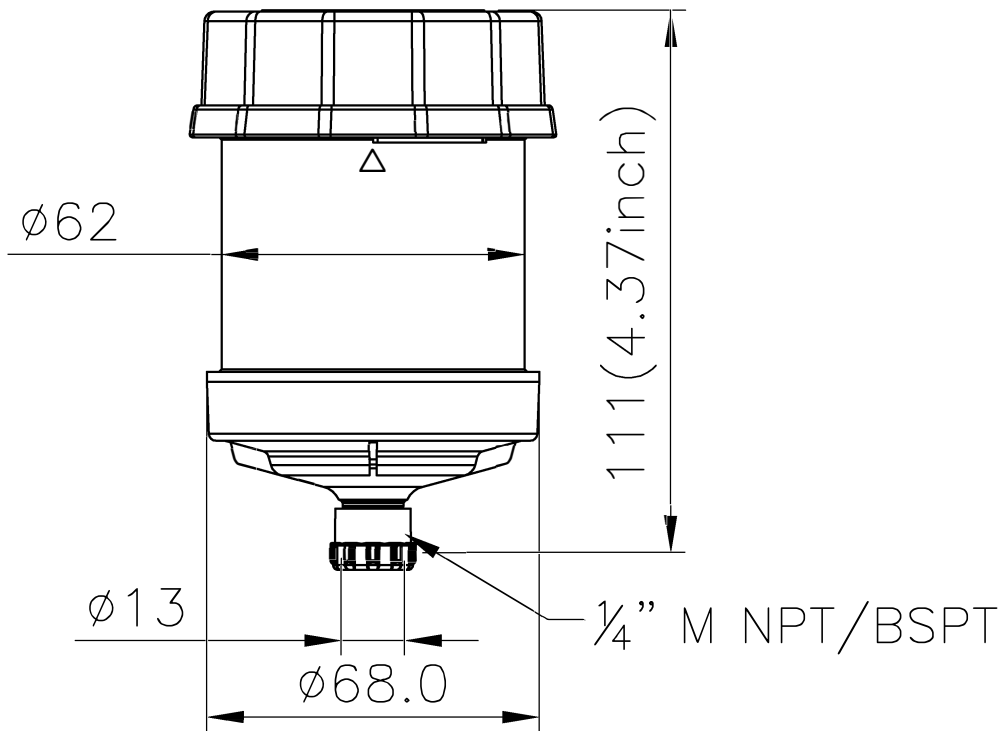
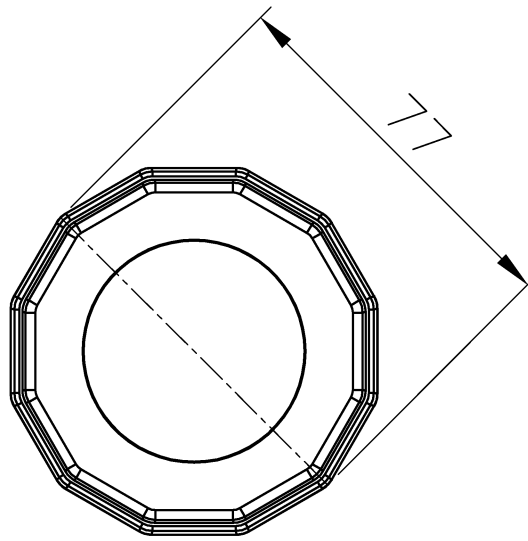


REV.	DESCRIPTION	DATE
△A0	INITIAL RELEASE	2020.01.21
△A1	-	-



Quantity	EA	Material	-			Project Name :	G-LUBE 120	
	Finish				Product Number :	GL00-120		
	Scale	Unit	Drawing	Date	Drawing Name :	ASM DWG(OUTLINE DIM'S DWG.)		
1/1	mm	-	2012.10.17	Checked	Date	Drawing No.:	-	
		Approved	Date	Code(Part No):		-	Sheet/ Sheets	
		-	2012.10.17			-	1/1	