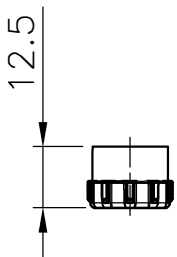
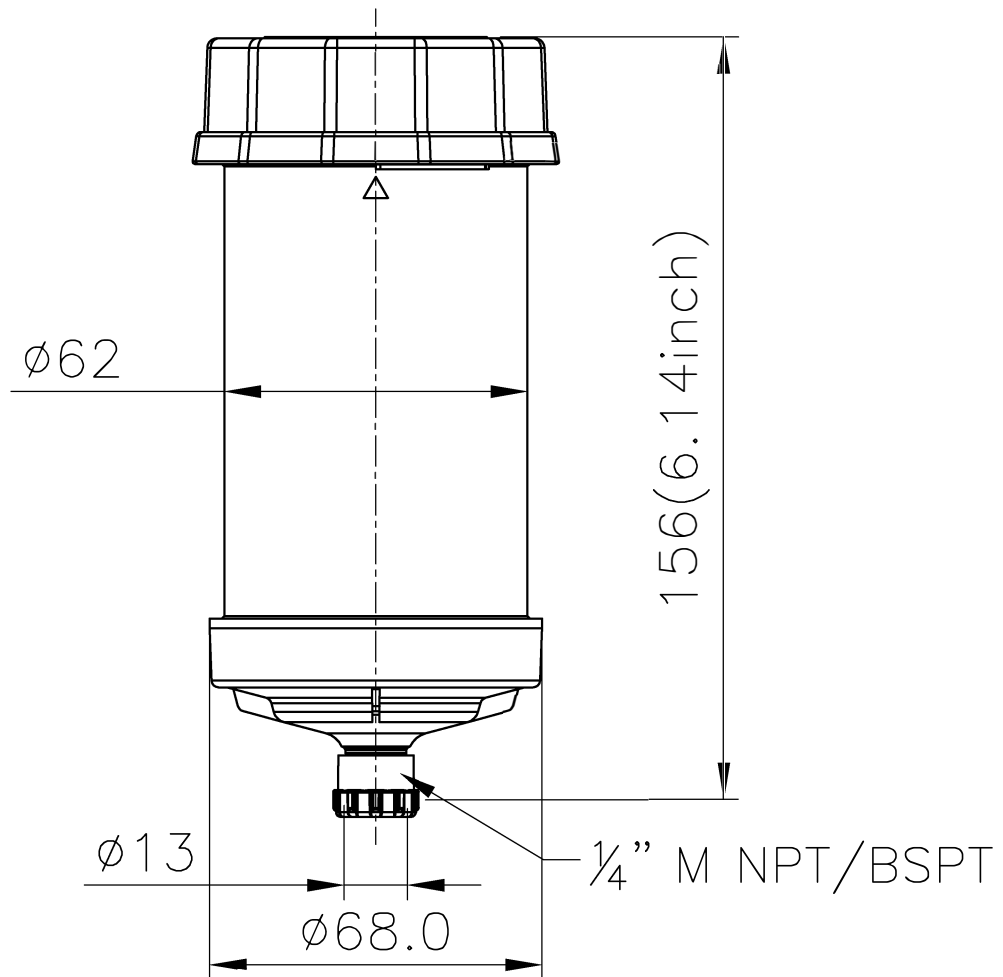
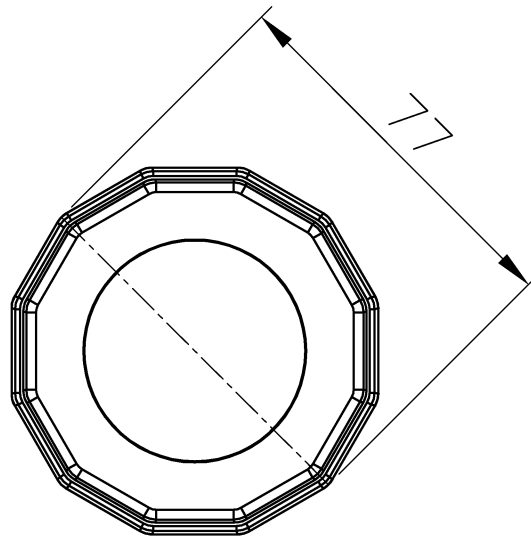


REV.	DESCRIPTION	DATE
△A0	INITIAL RELEASE	2012.10.17
△A1	-	-



Quantity	EA	Material	-			Project Name :	G-LUBE 240	
	Finish				Date	2012.10.17		
	Scale	Unit	Drawing	Date	Product Number : GL00-240			
1/1	mm	Checked	Date		Drawing Name : ASM DWG(OUTLINE DIM'S DWG.)			
		Approved	Date		Drawing No.:	-		
		-	2012.10.17		Code(Part No):	-		
							Sheet/	1/1
							Sheets	