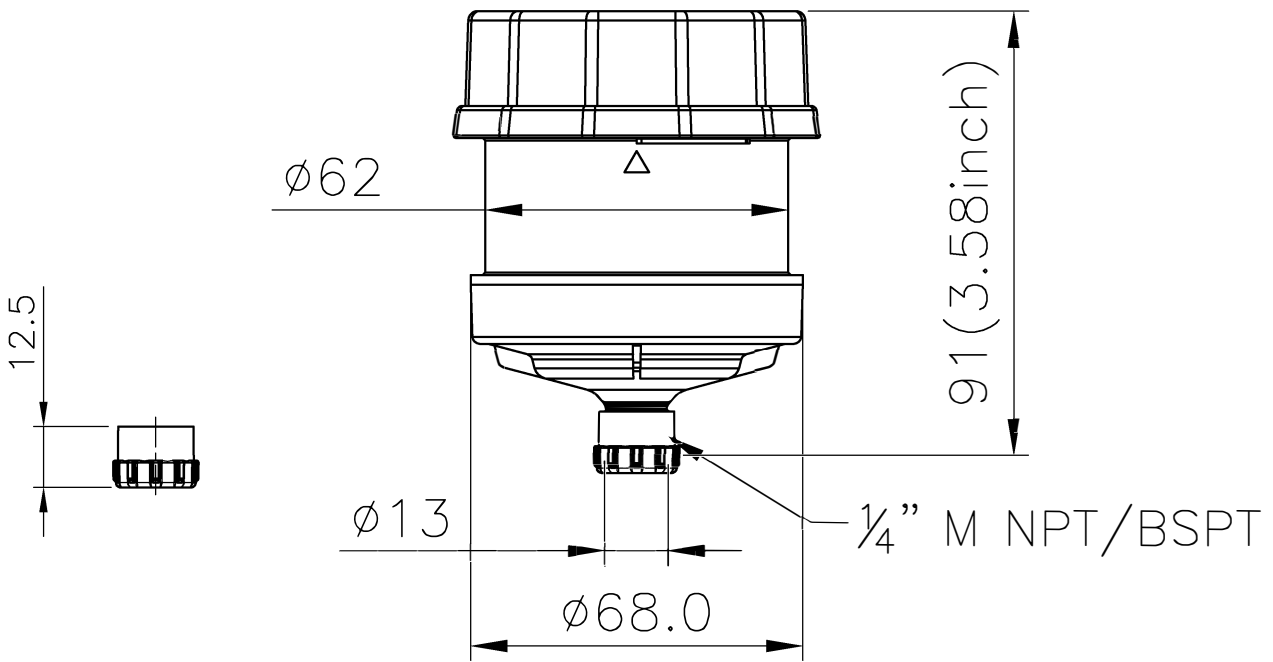
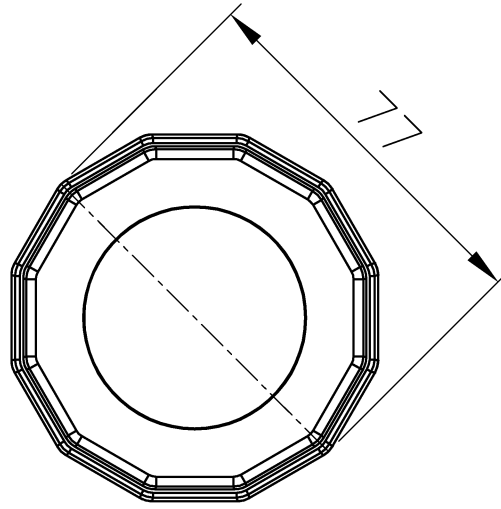


REV.	DESCRIPTION	DATE
△A0	INITIAL RELEASE	2012.10.17
△A1	-	-



Quantity	EA	Material	-			Project Name :	G-LUBE 60	
	Finish				Date	2012.10.17		
	Scale	Unit	Drawing	Date	Product Number : GL00-60			
1/1	mm	Checked	/		Drawing Name : ASM DWG(OUTLINE DIM'S DWG.)			
		Approved	/		Drawing No.:	-		
		-	/		Date	2012.10.17		
					Code(Part No):	-		
					Sheet/		1/1	
					Sheets			