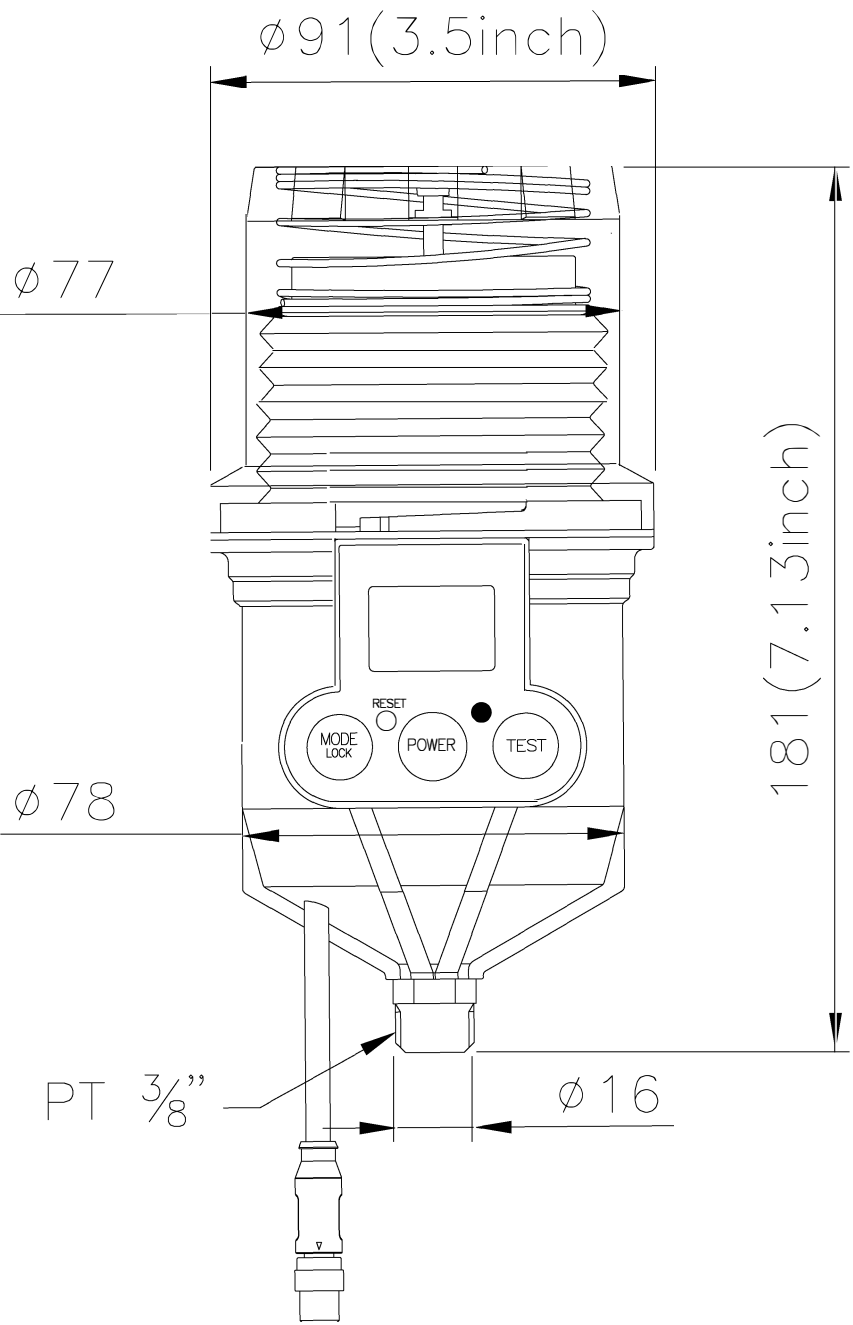


REV.	DESCRIPTION	DATE
△A0	INITIAL RELEASE	
△A1	-	-



Quantity	EA	Material	-
	Finish		
	Scale	Unit	Drawing
	1/1	mm	Date
		Checked	Date
		Approved	Date
		-	2016.01.26

Project Name : G-LUBE VIB	
Product Number : GL-VIB-125	
Drawing Name : ASM DWG(OUTLINE DIM'S DWG.)	
Drawing No. : -	Sheet/ Sheets
Code(Part No): -	1/1

