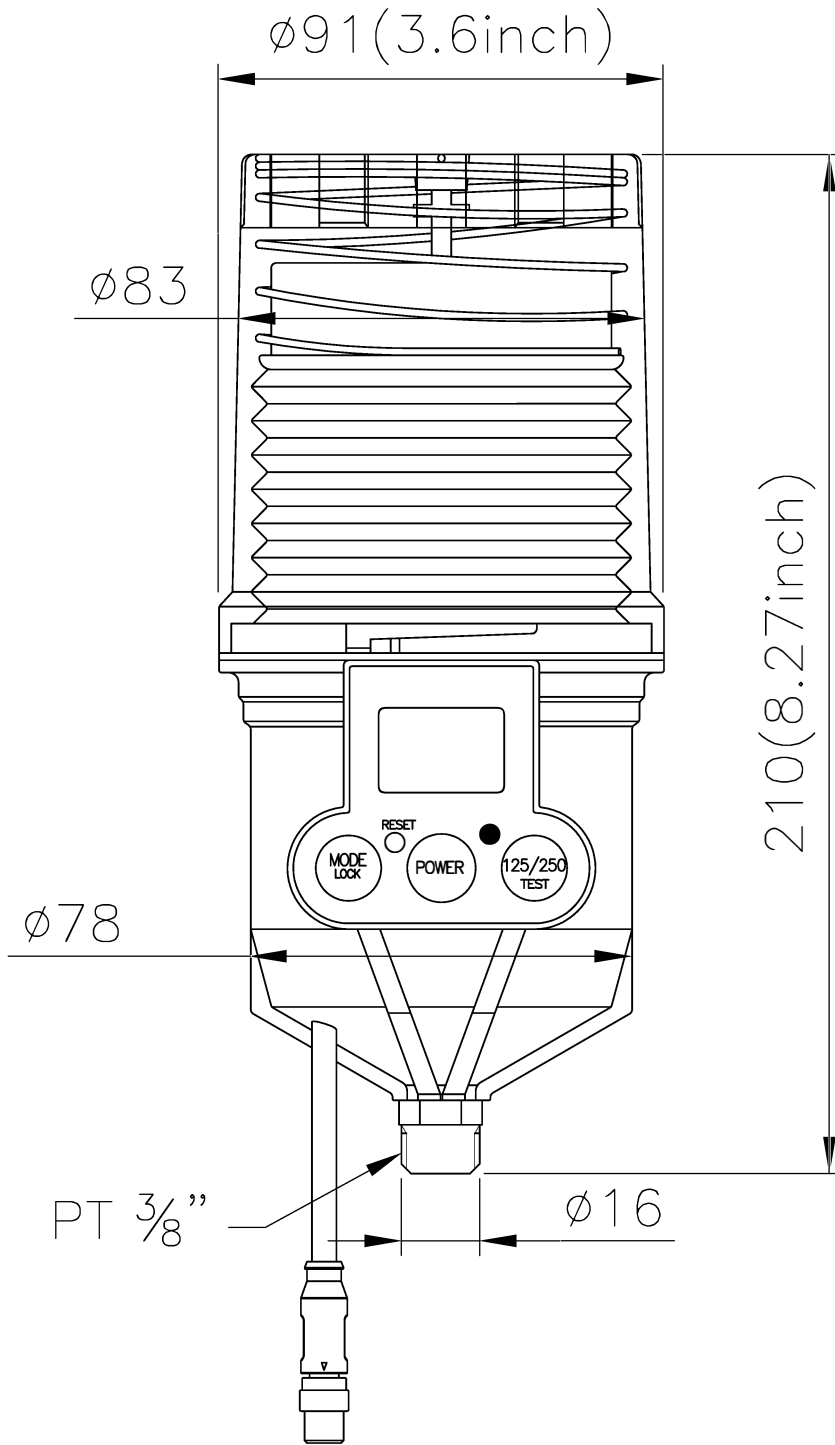


REV.	DESCRIPTION	DATE
△A0	INITIAL RELEASE	2021.04.08
△A1	-	-



Quantity	EA	Material	-			Project Name : G-LUBE VIB
	Finish					Product Number : GL-VIB-250
	Scale	Unit	Drawing	Date	Checked	Drawing Name : ASM DWG(OUTLINE DIM'S DWG.)
1	1	mm	-	2021.04.08		Drawing No.: -
			Approved	Date	Code(Part No): -	Sheet/ Sheets
			-	2012.10.17		1/1