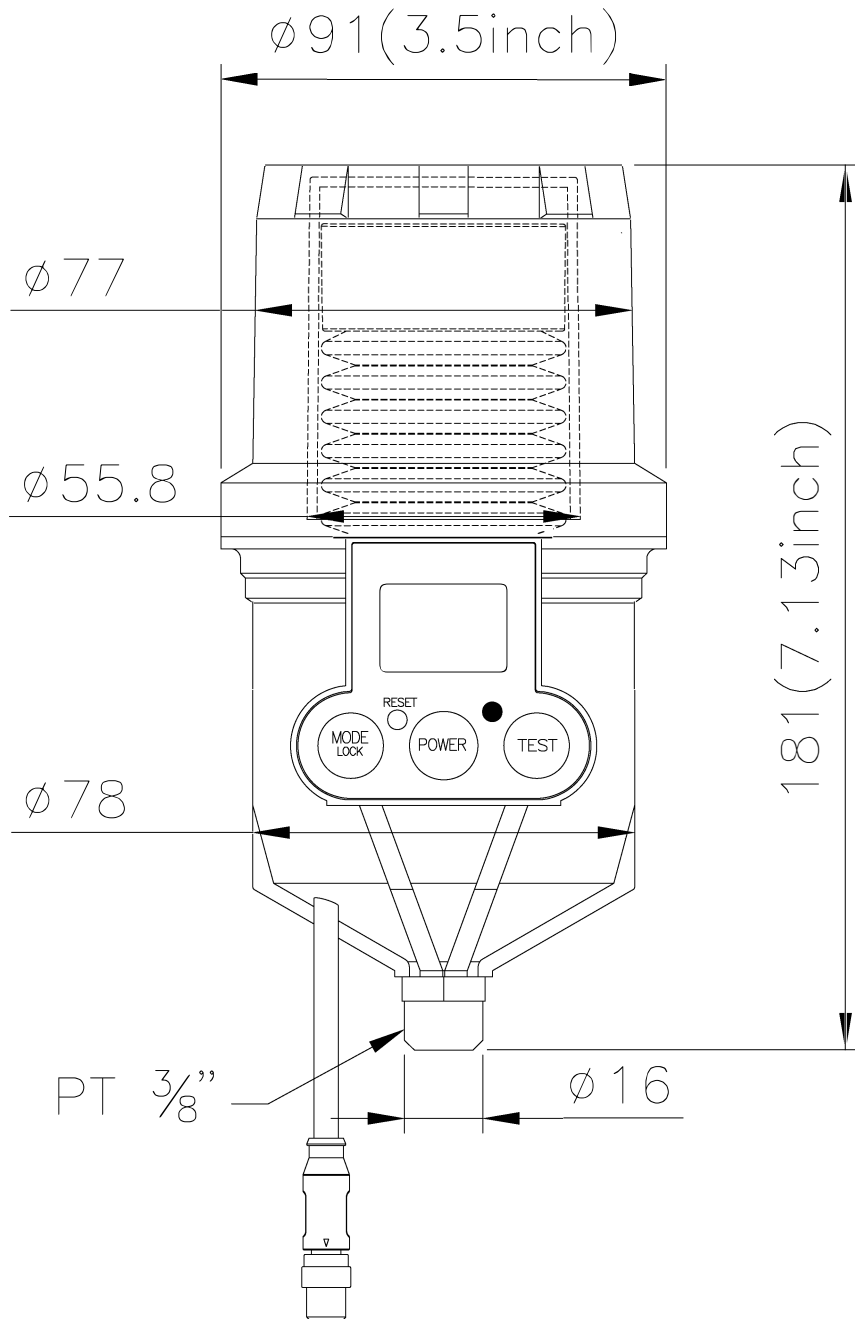


REV.	DESCRIPTION	
A0	INITIAL RELEASE	
A1	-	-



Quantity	EA	Material	-
	Finish		
	Scale	Unit	Drawing
	1/1	mm	Date
			Checked
			Date
			Approved
			Date

Project Name :	G-LUBE VIB
Product Number	GL-VIB-60
Drawing Name :	ASM DWG(OUTLINE DIM'S DWG.)
Drawing No.:	-
Code(Part No):	-
Sheet/Sheets	1/1