

PLC controlled distributor

Individual lubrication quantities
per outlet possible



GRUETZNER
AUTOMATIC LUBRICATION

Advantages



Flexibility

Individual lubrication quantities per outlet possible



Precision

Check valves prevent the influence of back pressure from the lubrication point



Lubricant protection

Lubricant is not exposed to additional pressure from distributor



Status messages

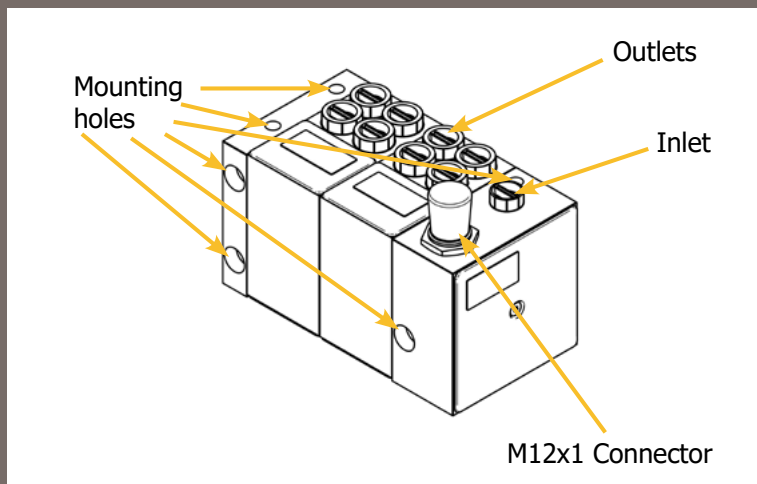
Visual function and fault indication via LEDs



Further Advantages

- Available with 4, 8 or 12 outlets
- Feedback signals allow detailed monitoring

Technical data



Dimensions

PRV-4-PLC: 80 x 83 x 62 mm
 PRV-8-PLC: 115 x 83 x 62 mm
 PRV-12-PLC: 115 x 83 x 62 mm

Mounting position

any

Weight

PRV-4-PLC: ca. 954 g
 PRV-8-PLC: ca. 1470 g
 PRV-12-PLC: ca. 1990 g

Operating voltage

24 V (DC)

Operating temperature

-15 °C bis +70 °C

Lubricant inlet

Thread M6

Lubricant outlets

4 / 8 / 12 (M10x1)

Lubricating medium

Oil: Up to 30.000 cSt (40 °C)
 Grease: up to NLGI 2

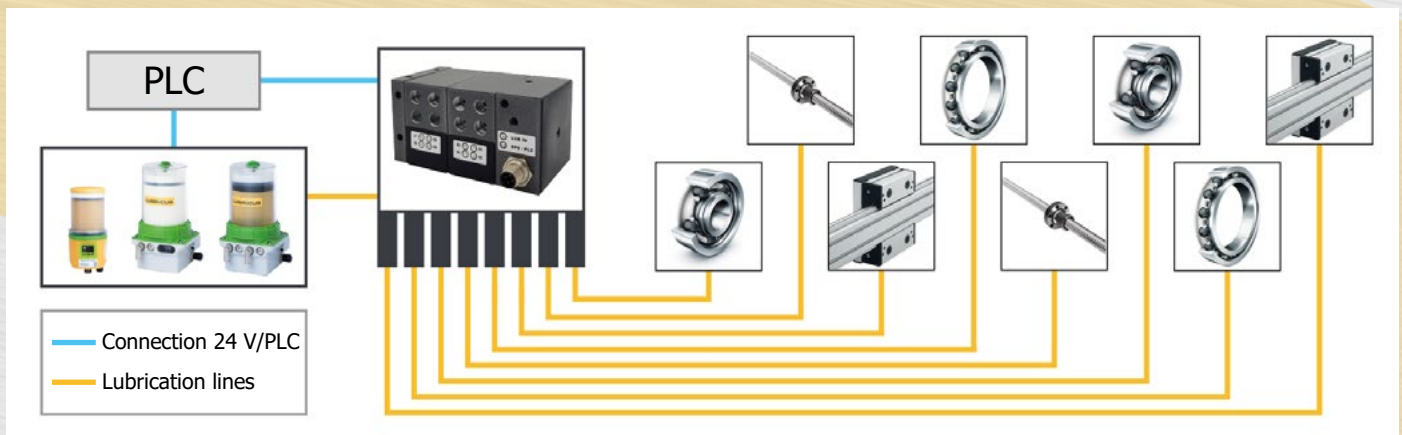
Max. pressure

200 bar (2900 psi)

Protection class

IP54

Application example for PRV-8-PLC



GRUETZNER
 AUTOMATIC LUBRICATION

Gruetznner GmbH
 Dagobertstr. 15 • 90431 Nuremberg, Germany
 tel. +49 911 277 399 0
 info@G-LUBE.com • www.G-LUBE.com