

# PLC controlled distributor

Individual lubrication quantities  
per outlet possible



**GRUETZNER**  
AUTOMATIC LUBRICATION

# Advantages



## Flexibility

Individual lubrication quantities per outlet possible



## Precision

Check valves prevent the influence of back pressure from the lubrication point



## Lubricant protection

Lubricant is not exposed to additional pressure from distributor



## Status messages

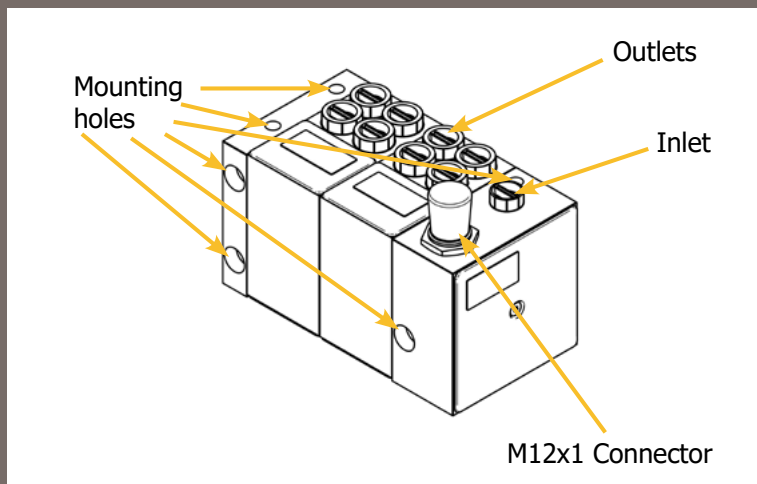
Visual function and fault indication via LEDs



## Further Advantages

- Available with 4, 8 or 12 outlets
- Feedback signals allow detailed monitoring

# Technical data



### Dimensions

PRV-4-PLC: 80 x 83 x 62 mm  
 PRV-8-PLC: 115 x 83 x 62 mm  
 PRV-12-PLC: 115 x 83 x 62 mm

### Mounting position

any

### Weight

PRV-4-PLC: ca. 954 g  
 PRV-8-PLC: ca. 1470 g  
 PRV-12-PLC: ca. 1990 g

### Operating voltage

24 V (DC)

### Operating temperature

-15 °C to +70 °C  
 -5 °F to +158 °F

### Lubricant inlet

Thread M6

### Lubricant outlets

4 / 8 / 12 (M10x1)

### Lubricating medium

Oil: up to 30.000 cSt  
 (at +40 °C / +104 °F)  
 Grease: up to NLGI 2

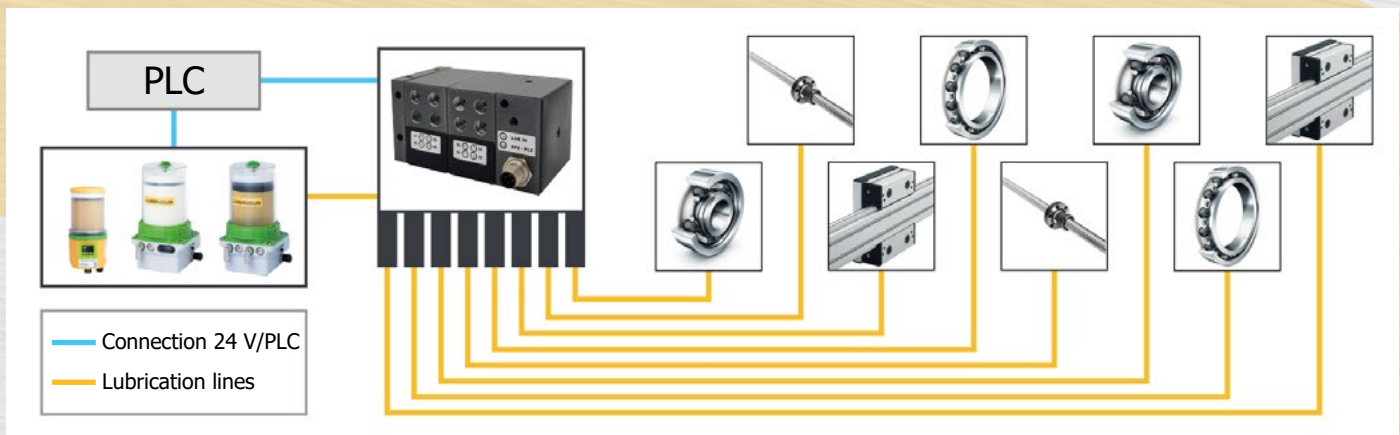
### Max. pressure

200 bar (2900 psi)

### Protection class

IP54

# Application example for PRV-8-PLC



**GRUETZNER**  
 AUTOMATIC LUBRICATION

**Gruetzner GmbH**  
 Dagobertstr. 15 • 90431 Nuremberg, Germany  
 tel. +49 911 277 399 0  
 info@G-LUBE.com • [www.G-LUBE.com](http://www.G-LUBE.com)