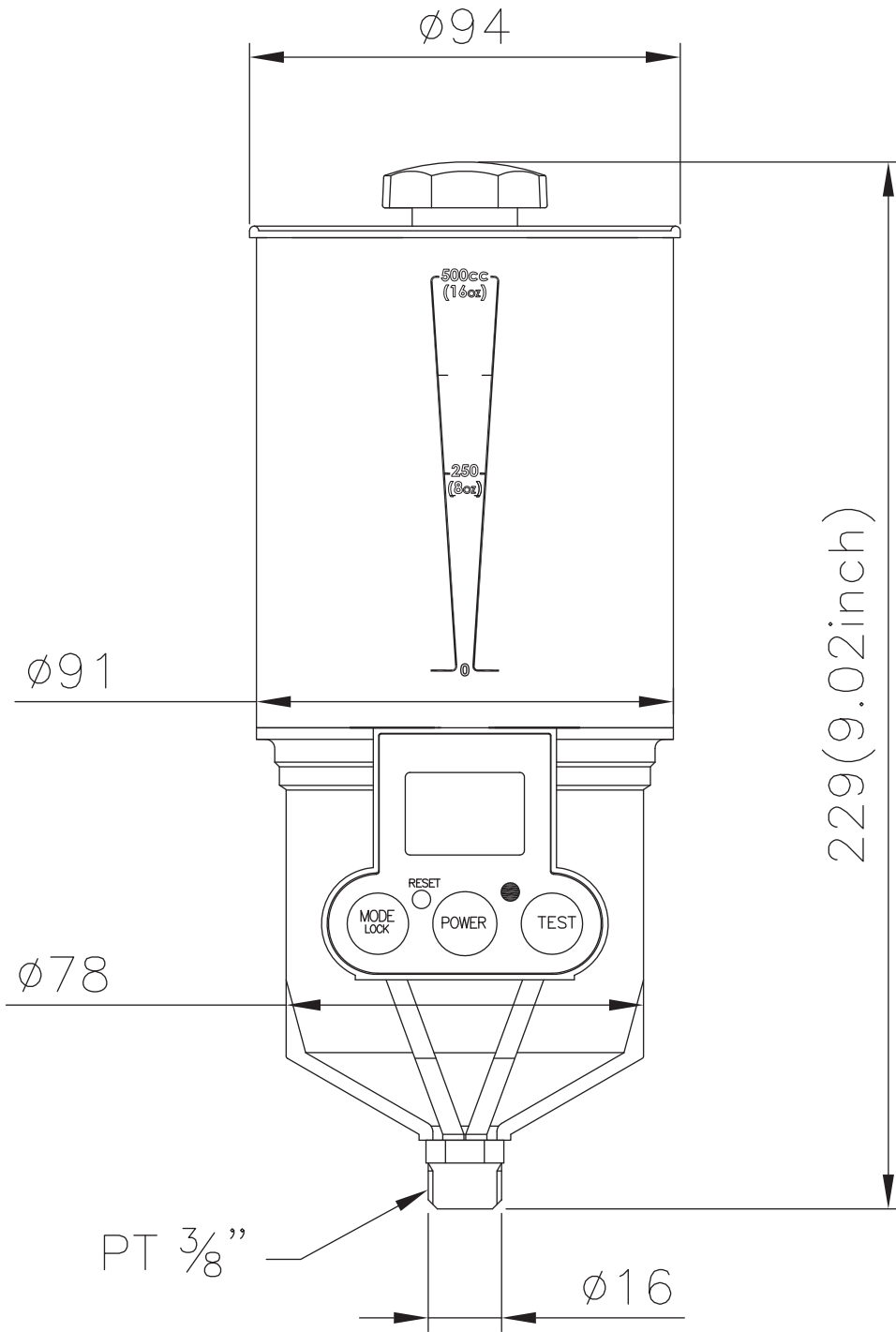


REV.	DESCRIPTION	DATE
A0	INITIAL RELEASE	2022.02.01
A1	-	-



Quantity	EA	Material	-			Project Name : G-LUBE EM B OIL	
	Finish					Product Number : GL-EM-B-OIL-500	
	Scale	Unit	Drawing	Date	Drawing Name : ASM DWG(OUTLINE DIM'S DWG.)		
	1/1	mm	-	2022.02.01			
			Checked	Date	Drawing No.: -		Sheet/Sheets
			Approved	Date	Code(Part No): -		1/1
			-	2022.02.01			