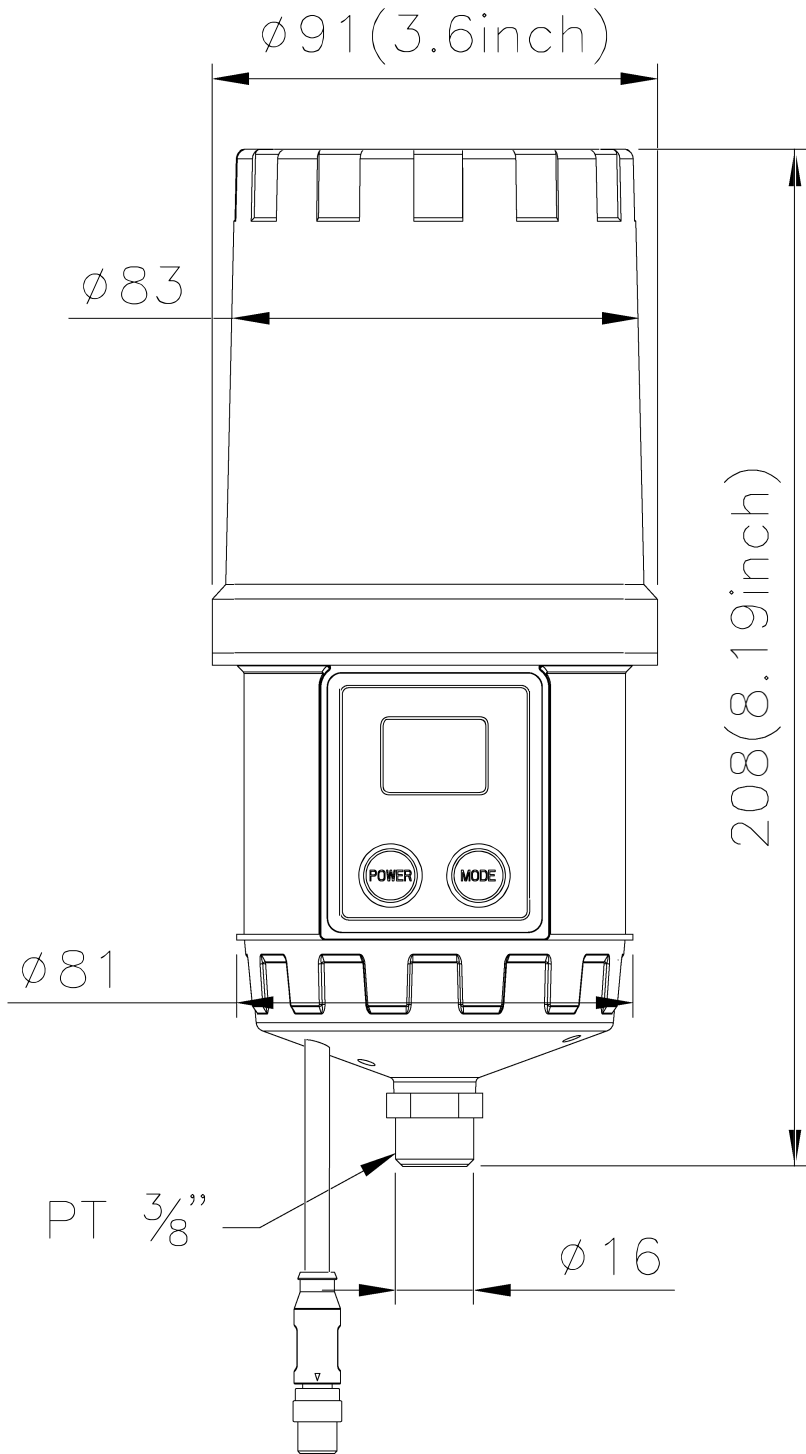


REV.	DESCRIPTION	DATE
△A0	INITIAL RELEASE	2015.03.27
△A1	-	-



Quantity	EA	Material	-			Project Name : G-LUBE EM: Models V, D	
	Finish				Product Number : GL-EM-V-GH€ GL-EM-D-GH0		
	Scale	Unit	Drawing	Date	Drawing Name : ASM DWG(OUTLINE DIM'S DWG.)		
	1/1	mm	-	2015.03.27	Drawing No.:	-	
			Checked	Date	Code(Part No): -		
			Approved	Date	Sheet/Sheets		
			-	2015.03.27	1/1		