

REV.	DESCRIPTION	DATE
A0	INITIAL RELEASE	2015.03.27
A1	-	-

C

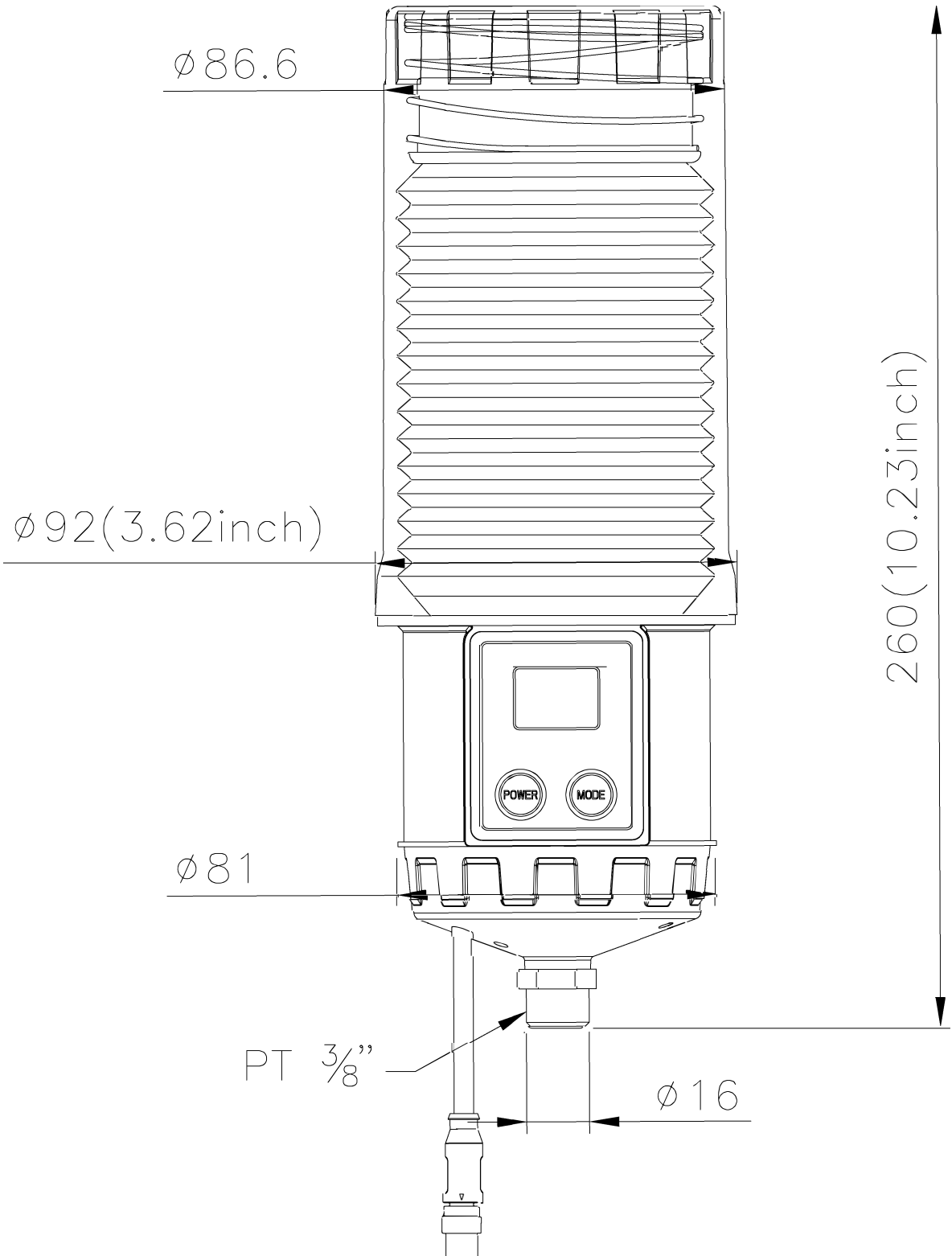
B

A

C

B

A



Quantity	EA	Material	-		
	Finish				
	Scale	Unit	Drawing	Date	
	1/1	mm	-	2015.03.27	
			Checked	Date	
			Approved	Date	
			-	2015.03.27	



<b>G-LUBE EM: Models V, D</b>	
Project Name : 480 ml	
Product Number : GL-EM-V-HI€ GL-EM-D-480	
Drawing Name : ASM DWG(OUTLINE DIM'S DWG.)	
Drawing No.:	-
Code(Part No):	-
Sheet/	1/1
Sheets	1