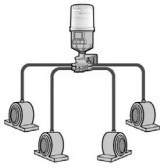


## 4. Mounting

**Direct mounting** is always preferred.

If the application does not allow direct mounting, remotely assemble the unit using appropriate accessories and keep the distance from the lube point as short as possible (5 metres maximum). For **remote installations** use a 6 mm (inner diameter) tube pre-filled with the same or compatible grease as the grease contained in the unit.

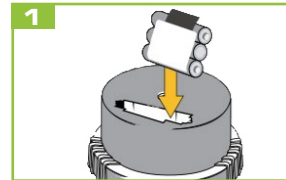


**Multiple point installation** is possible using a progressive distributor. Do not block any connections to the progressive distributor. Instead use a suitable distributor in accordance with the number of lubrication points. Keep the distance between the distributor and the lubrication unit as short as possible.

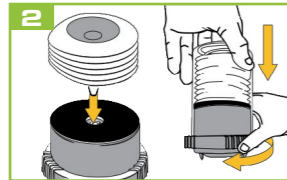
## 5. LED signals

Signals via LED	
	<ul style="list-style-type: none"><li>• Normal operation.</li><li>• The pump cycle has been completed successfully.</li></ul>
	<ul style="list-style-type: none"><li>• Low battery power. Check the battery.</li><li>• A mechanical fault has occurred, or the pipes may be blocked.</li></ul>

## 6. Changing the cartridge



Remove the housing and empty cartridge. Replace the battery every time you change the cartridge.



Place the sealing plate and place the cartridge on top. Place the housing on top of the drive unit. Secure the housing by turning the retaining ring clockwise on the drive unit.

## 7. Important information

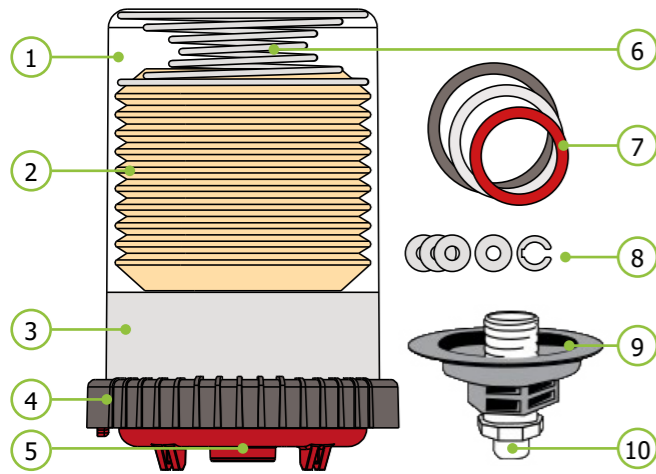
- The lubricant dispenser is **not** suitable for use with oil.
- Minimize tube resistances. Narrow passages and right angles should be avoided.
- During operation of the device a visual inspection of the device as well as of the lubrication point must be carried out regularly.
- Product warranty is limited to original defects in material and workmanship and does not cover any collateral damage due to mishandling, abuse and/or any other inappropriate use of the device.
- The maximum storage temperature should not exceed +40 °C (+104 °F). Higher temperatures decrease the battery's lifespan. Batteries may be stored for max. 1 year. The lubricator has to be activated within two years from receiving.

# LUBRICAJO B

## User manual LJ-EM-B



## 1. Product details



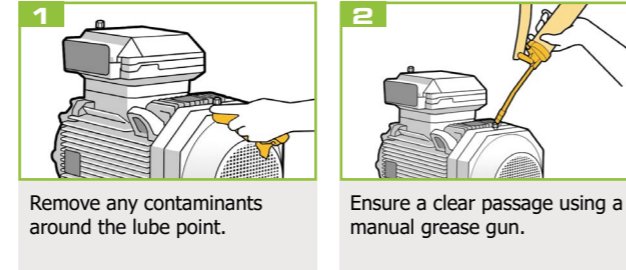
No.	Description	No.	Description
1	Housing	6	Pressure spring
2	Lubricant cartridge	7	Time rings (setting pause time)
3	Drive	8	Stroke washers, circlip (sold separately, Art. no. JAT9052)
4	Retaining ring	9	Ring adapter
5	Outlet	10	Thread male 1/4"

## 2. Technical data

Housing			
Operating temperature	Al battery	+5 ... +50*	°C
	Li battery	-15 ... +50*	°C
Dimensions (height x Ø)	120 ml: 133 x 101		mm
	240 ml: 164 x 101		
	480 ml: 245 x 101		
Lubricant and hydraulic			
Lubricating medium	greases up to NLGI class 2		
Lubricant volume	120/240/480		ml
Number of lubrication points	up to 12 (with progressive distributors)		
Max. operating pressure	25		bar
Grease delivery	per stroke	0,6 (with stroke washers, reduction down to 0.34 ml possible)	ml
Distribution period	0,25 ... 16 months		
Electrics			
Working voltage (DC)	4,5		V
Protection class	IP66		

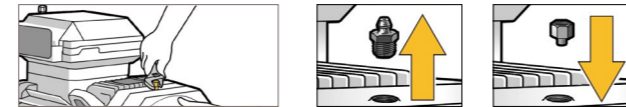
\* The stated value is down to the individual application and may extensively differ in some cases (depending on the lubricant and further conditions).

## 3. Installation

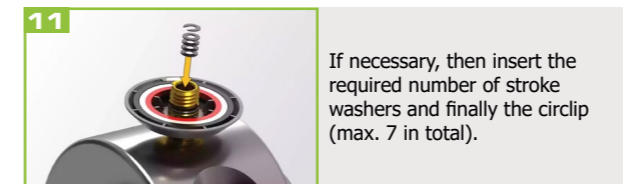
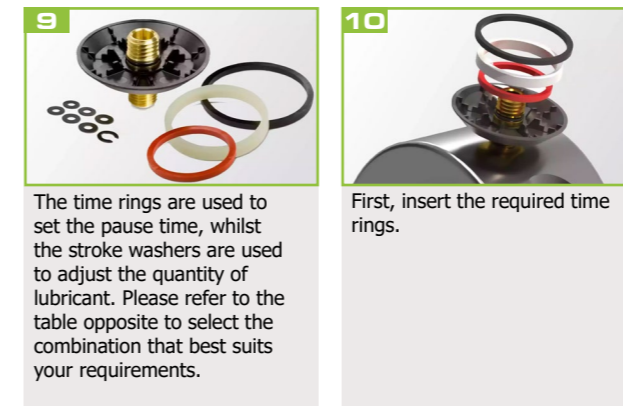
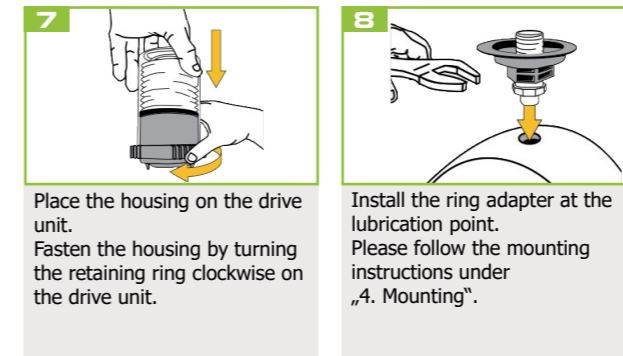
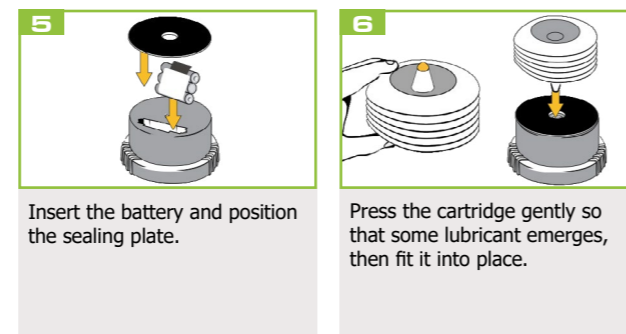
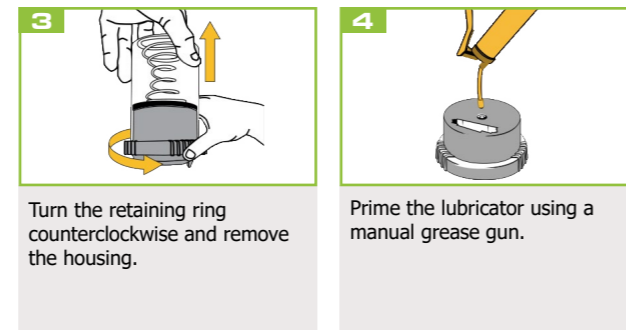


**NOTE** The reliable operation depends on completely filled grease lines. Ensure that the grease lines are not blocked. Therefore, grease them before starting the device. Remove any hardened grease by purging the lube point with a manual grease gun.

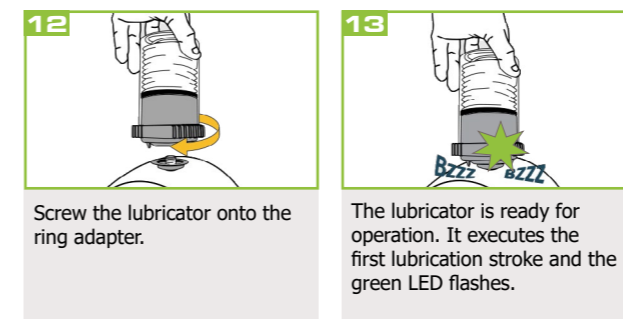
The grease in the equipment and the grease in the unit should be the same or compatible.



**NOTE** Remove the grease nipple and install proper connectors.



**NOTE** Without stroke washers (at full piston stroke), Lubricaco B delivers 0.6 ml of lubricant per stroke. Each additional stroke washer in the ring adapter reduces the stroke volume by approximately 0.0375 ml.



Time rings Setting of the pause time	Pause time	Dispensing time for 120 ml	Dispensing time for 240 ml	Dispensing time for 480 ml	max. dispensing time	Stroke washers <b>○</b> and circlip <b>⊙</b> : Setting the quantity of lubricant (reducing the quantity of lubricant increases the dispensing time)						
						only <b>○</b>	1 <b>○</b> + <b>⊙</b>	2 <b>○</b> + <b>⊙</b>	3 <b>○</b> + <b>⊙</b>	4 <b>○</b> + <b>⊙</b>	5 <b>○</b> + <b>⊙</b>	6 <b>○</b> + <b>⊙</b>
48 hours	12 months	-	-	-	0,3 ml/day	0,28 ml/day	0,26 ml/day	0,24 ml/day	0,22 ml/day	0,21 ml/day	0,19 ml/day	0,17 ml/day
24 hours	6 months	12 months	-	-	0,6 ml/day	0,56 ml/day	0,53 ml/day	0,49 ml/day	0,45 ml/day	0,41 ml/day	0,38 ml/day	0,34 ml/day
16 hours	4 months	8 months	16 months	-	0,9 ml/day	0,84 ml/day	0,79 ml/day	0,73 ml/day	0,68 ml/day	0,62 ml/day	0,56 ml/day	0,51 ml/day
12 hours	3 months	6 months	12 months	-	1,2 ml/day	1,13 ml/day	1,05 ml/day	0,97 ml/day	0,9 ml/day	0,82 ml/day	0,75 ml/day	0,67 ml/day
6 hours	1,5 months	3 months	6 months	-	2,4 ml/day	2,25 ml/day	2,1 ml/day	1,95 ml/day	1,8 ml/day	1,65 ml/day	1,5 ml/day	1,35 ml/day
2 hours	0,5 months	1 month	2 months	-	7,2 ml/day	6,75 ml/day	6,3 ml/day	5,85 ml/day	5,4 ml/day	4,95 ml/day	4,5 ml/day	4,05 ml/day
1 hour	0,25 months	0,5 months	1 month	-	14,4 ml/day	13,5 ml/day	12,6 ml/day	11,7 ml/day	10,8 ml/day	9,9 ml/day	9 ml/day	8,1 ml/day